

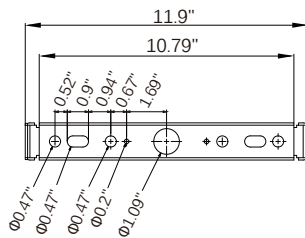
ADVANCED HIGH CEILING Whiz Bidirectional - Stem



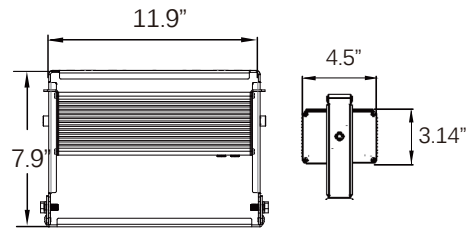
IMPORTANT SAFETY INFORMATION. READ AND FOLLOW ALL SAFETY INSTRUCTIONS

IMPORTANT SAFETY INFORMATION. READ AND FOLLOW ALL SAFETY INSTRUCTIONS. Before wiring to power supply and during servicing or relamping, turn off power at fuse or circuit breaker. All servicing or relamping must be performed by qualified service personnel. Product must be grounded to avoid potential electric shock or other potential hazard. Product must be at locations and at heights and in a manner consistent with its intended use, and in compliance with Electrical Code and local codes.

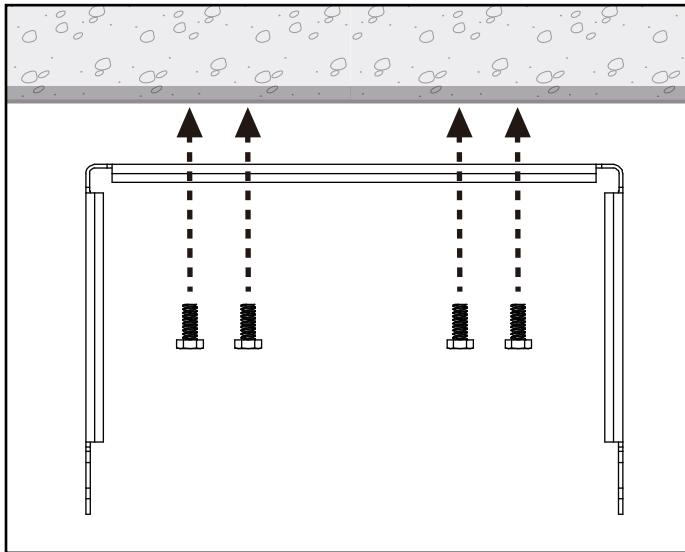
SAVE THESE INSTRUCTIONS FOR FUTURE REFERENCE.



Bracket

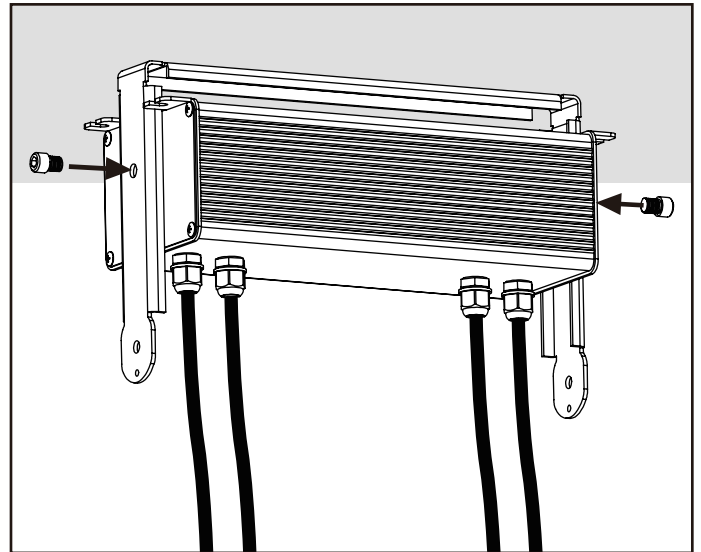


Power Box



Step 1

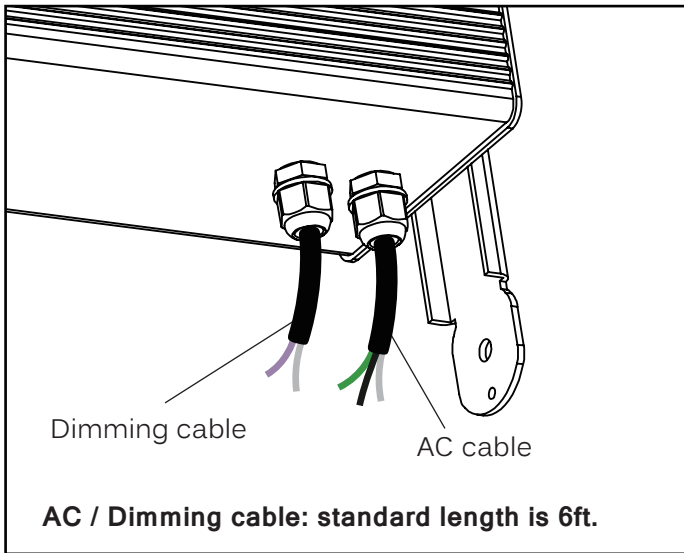
Secure bracket to level surface with mounting hardware that is sufficient to support weight of LED fixture and power box.



Step 2

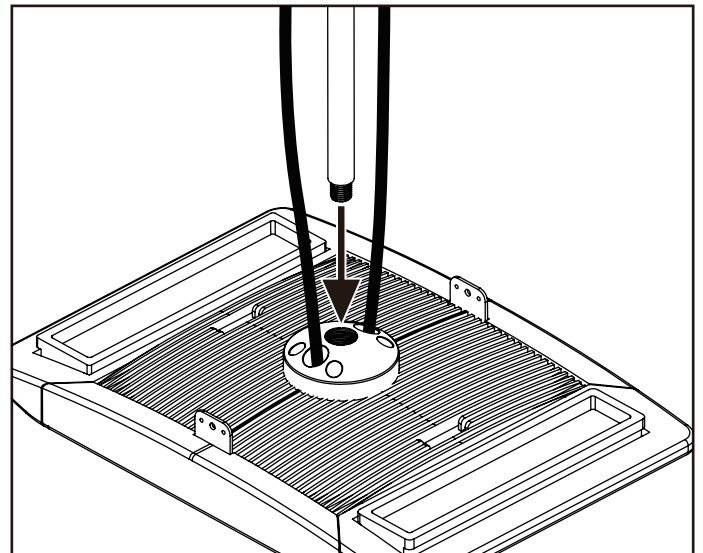
Secure power supply box to bracket with provided screws.

ADVANCED HIGH CEILING Whiz Bidirectional - Stem



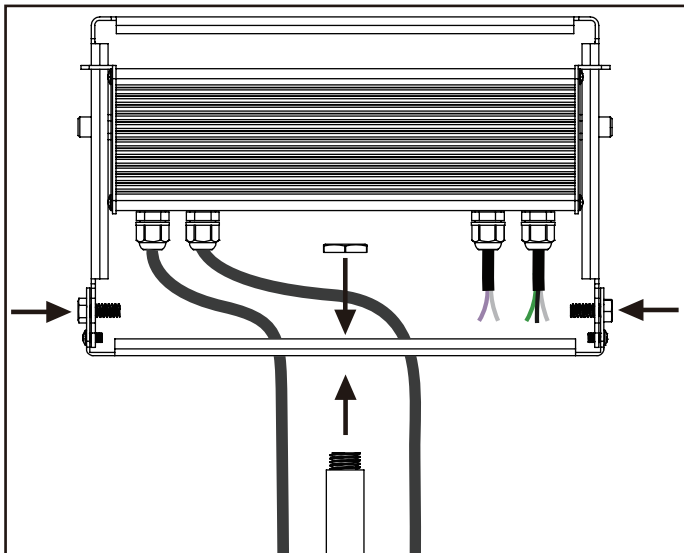
Step 3

Connect power input wires with corresponding black/white/green wires using attached connector at the end of the wires.



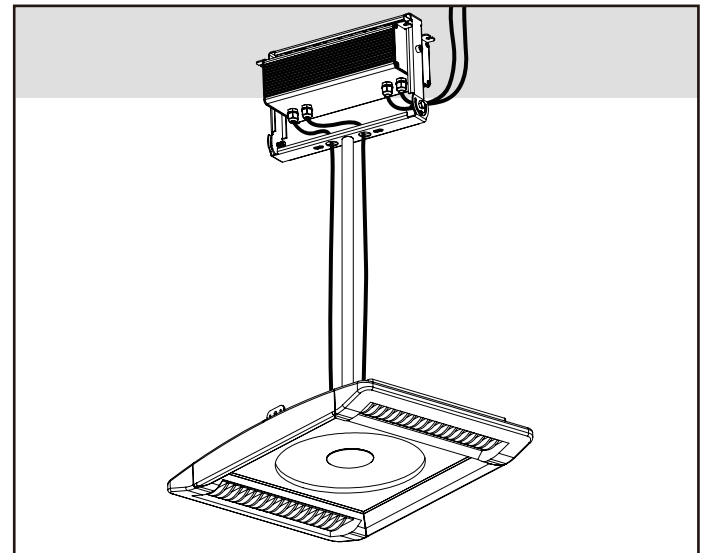
Step 4

Insert and screw in the stem to the canopy structure located on top side of the light fixture.



Step 5

Insert the other side of the stem through the middle hole on the bottom side of the bracket. Use a lock nut to secure the stem onto the bracket.



Step 6

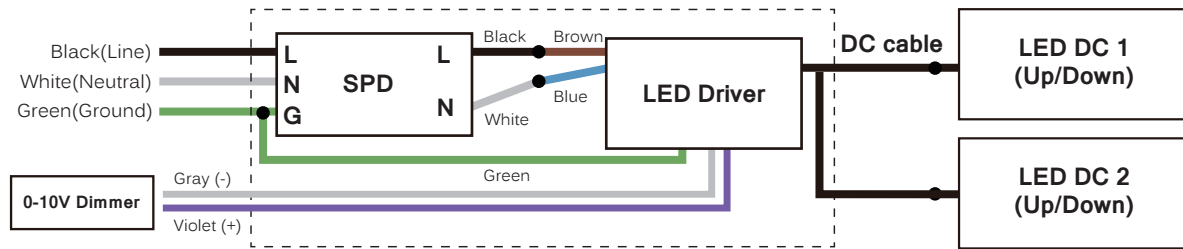
Finished and make sure all screws are tightly secured.

ADVANCED HIGH CEILING

Whiz Bidirectional

Wiring Diagram

Standard 0-10V: Single Dimming Switch (Controls up and down dimming together)



Optional 0-10V: Dual Dimming Switch: Controls up and down dimming separately

